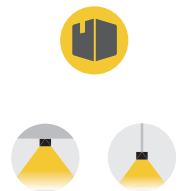


# Aluminium Profile



WAIKIWI 1-S

ALUMINIUM PROFILE 16.8mm x 16mm x INT 13mm

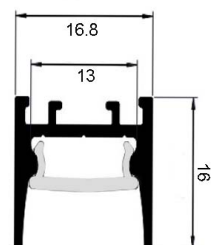


Waikiwi 1-S is a surface mount or suspended aluminium profile that comes complete with a deep regressed easy cut opal diffuser as standard.

The deep regressed diffuser reduces light glare and provides a concealed light source.

Waikiwi 1-S is suitable for single rows of low to high output tapes, CCT, RGB, RGBW, RGB+W+WW and some IP rated tapes.

Standard in 2m lengths.



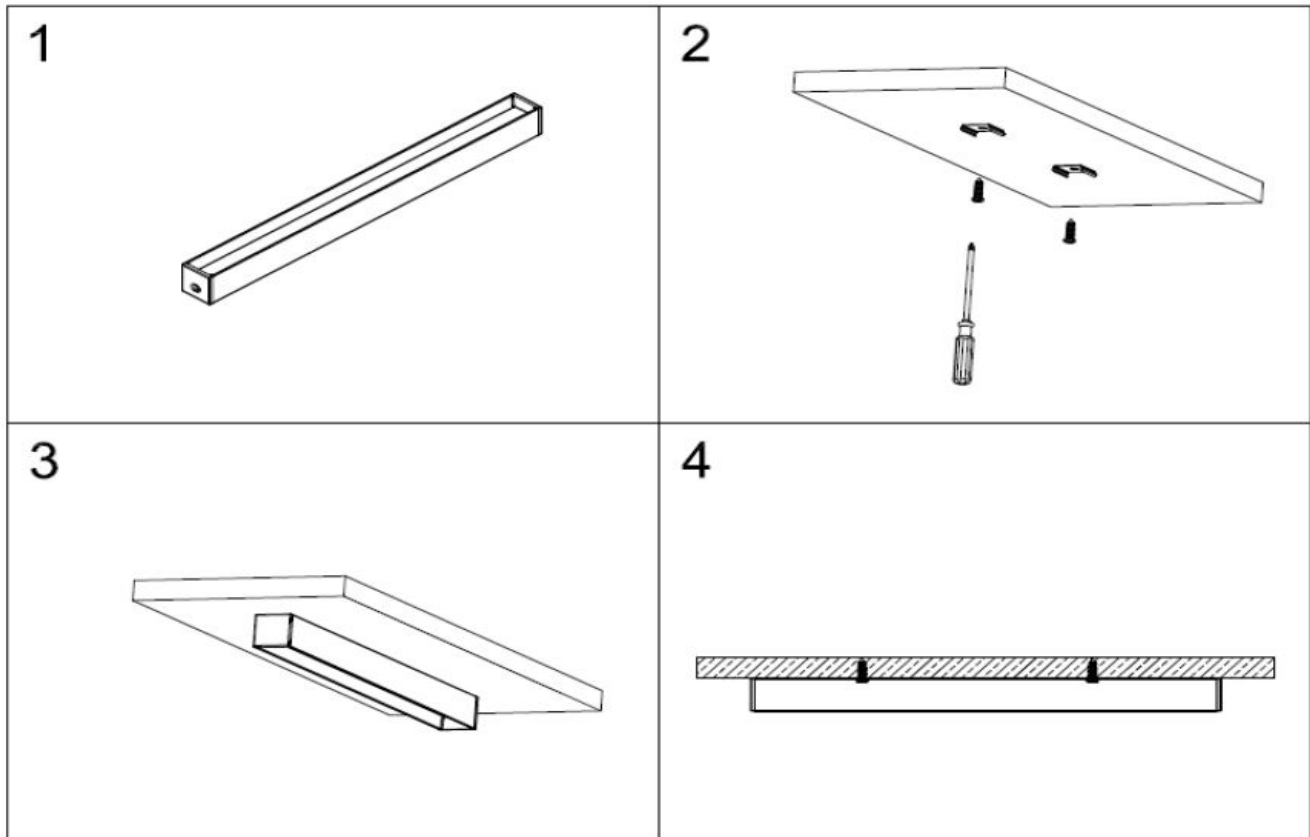
\*We can custom colour this profile to suit your project. Please contact us for a quote.

We have limited amount of Waikiwi1 profile in stock in 2m lengths.

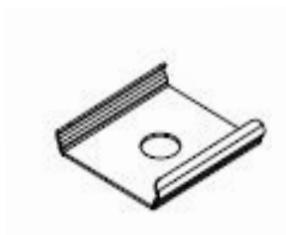
For large quantities ask us for lead-times.

ORDER CODE	DESCRIPTION
ICL-WAIKIWI1-S	WAIKIWI1-S ALUMINIUM PROFILE SURFACE MOUNT
ICL-END-WAIKIWI1-S	WAIKIWI1-S END CAPS
ICL-MOUNT-WAIKIWI1-S	WAIKIWI1-S MOUNTING CLIPS

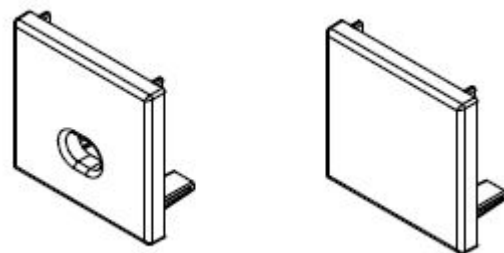
## Installation Instructions



## Accessories



Mounting Clip



End Caps

Industrial Commercial  
Lighting is a New Zealand  
owned and operated  
lighting solutions company  
based in the South Island

We provide industrial, commercial,  
architectural, sports, design and  
consulting lighting services.

Contact us for more information, or  
to discuss how we can assist you with  
a tailored lighting solution.

Phone **03 385 2291**  
Email **[contact@iclighting.co.nz](mailto:contact@iclighting.co.nz)**

[www.iclighting.co.nz](http://www.iclighting.co.nz)

