

Spotlight



ICL-REDHEAD-U
TRACK SPOTLIGHT



ICL-Redhead is a track mounted spotlight with various beam angle options.

Orientable 350° in horizontal direction and 90° in vertical direction. Redhead is a stylish, flexible track light especially suited to retail and art displays.

Utilising Citizen LED Cob technology which offers a uniform light distribution, excellent lumen output with CRI 80.

Watts:	12W / 25W / 35W
Lumens:	12W; (non dim 1020lm – 2100lm) / 25W; (non dim 2375lm – 2750lm) / 35W; (non dim 3150lm – 3675lm) (dim 970lm – 1140lm) (dim 2255lm – 2610lm) (dim 2995lm – 3490lm)
IP Rating:	IP20
Operating Temperature:	-20°C to +45°C
Input Voltage:	AC220-240V
Dimensions:	12W; Ø65mm x 243mm / 25W; Ø85mm x 291mm / 35W; Ø100mm x 291mm
Mounting:	Track 3C (1C adaptor available)
Beam Angle:	12W; 24° / 45° 25W / 35W; 15° / 24° / 36°
Dimming:	On/Off, Phase
Product Colour:	White, Black
Trim Options:	Standard, Honeycomb, Barn Door, Cross
Colour Temperature:	2700K, 3000K, 4000K, 5000K
CRI:	≥80
Life:	50,000 Hours
Warranty:	5 Years



This is an indent product. Please contact us for lead times.

ORDER CODE	DESCRIPTION
<i>Advise; w= beam angles 15°/25°/36° x = CCT / Dimmable required= y, Product colour z = white (WH), black (BK)</i>	
ICL-READHEAD-U-12W-w°-xK-y-z	TRACK SPOTLIGHT READHEAD-U 12W
ICL-READHEAD-U-25W-w°-xK-y-z	TRACK SPOTLIGHT READHEAD-U 25W
ICL-READHEAD-U-35W-w°-xK-y-z	TRACK SPOTLIGHT READHEAD-U 35W

Safety Instructions

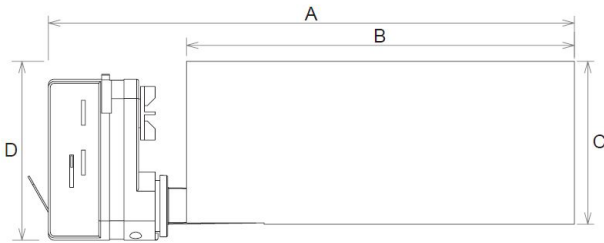
Basic safety precautions should always be followed, including the following:

- Installation to be done by a licensed electrician only.
- Always ensure the power is OFF and the fitting has cooled down before installing, performing any maintenance, cleaning, changing or adjusting the fitting.
- Do not install the luminaire near a heat source.
- Product modification and improper installation will void warranty.
- Light source of the luminaire is not replaceable; if it is damaged the luminaire should be destroyed.



CAUTION:
Risk of electric shock

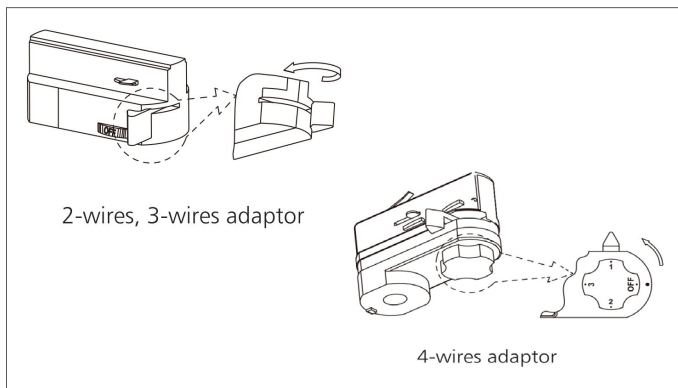
Dimensions



Model	Dimension(mm)				Size(mm)
	A	B	C	D	
12W	243	150	65	84	84*65*243
25W	291	200	85	93	93*85*291
35W	291	200	100	108	108*100*291

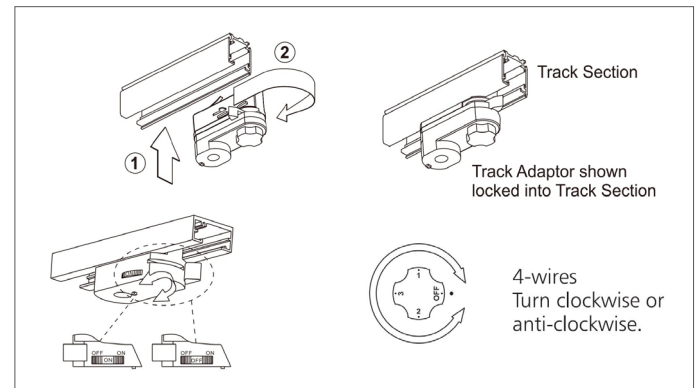
Installation Instructions

STEP 1



Prior to locating the Adaptor into the track section make sure it is set in the 'OFF' position & 'locking lever' is set in the position shown.

STEP 2



Position the track adaptor into track section (1)
Lock into position by turning 'locking lever' 90° (2)

Trims



Barn Door

Honeycomb Louvre

Standard

Cross Louvre

Industrial Commercial
Lighting is a New Zealand
owned and operated
lighting solutions company
based in the South Island

We provide industrial, commercial,
architectural, sports, design and
consulting lighting services.

Contact us for more information, or
to discuss how we can assist you with
a tailored lighting solution.

Phone **03 385 2291**
Email **contact@iclighting.co.nz**

www.iclighting.co.nz

