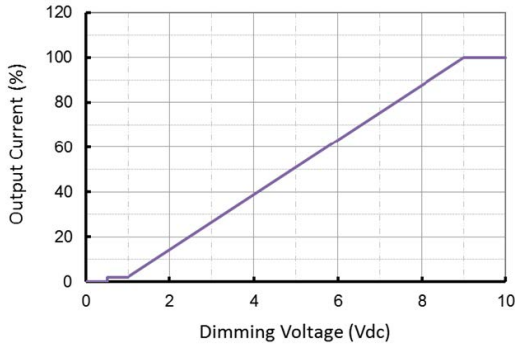


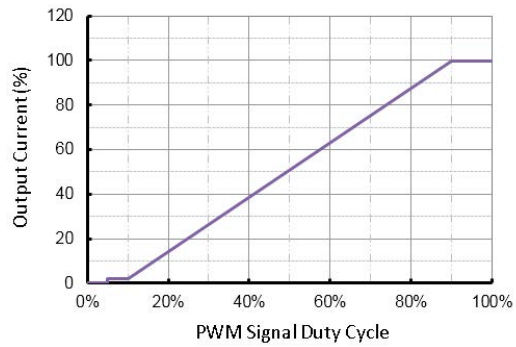
ICL-SWPU-320W-24V-DALI

Dimming Curve

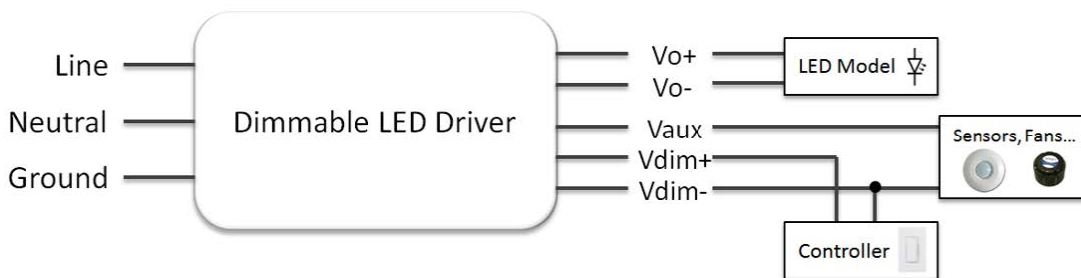
0-10V Dimming Curve



PWM Dimming Curve

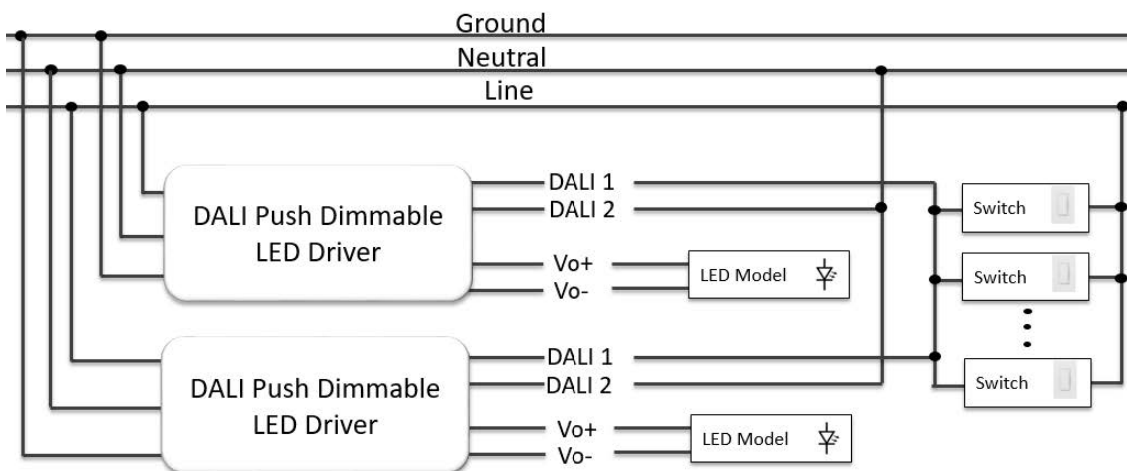


Dimming Wiring



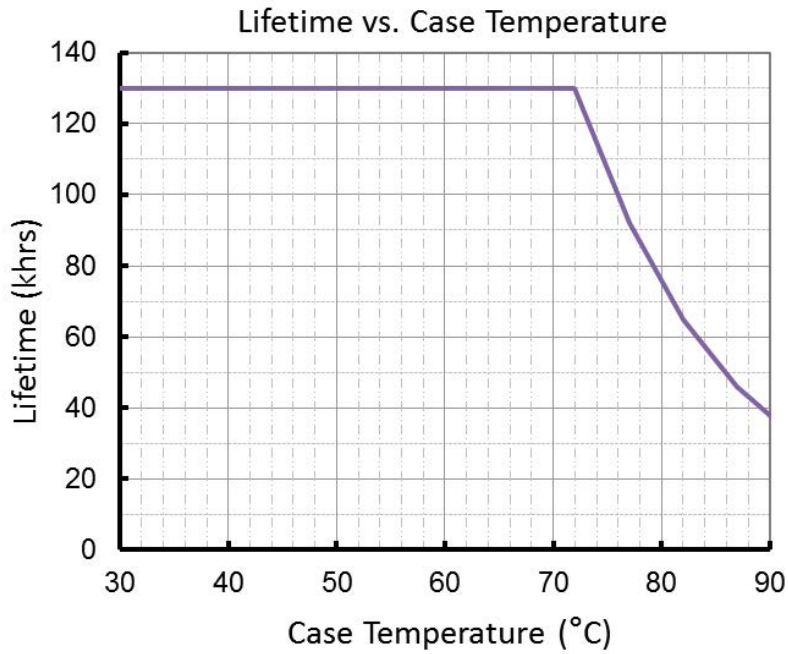
Push (Switch) Dim

Short press:	(50-600ms) switches the device on or off
Long Press:	(>600ms) fades the connected operating device alternately up and down (between 2 and 100%)
Up and Down Slew Rate:	20% Io/second
Long Push	(15 seconds) to synchronise



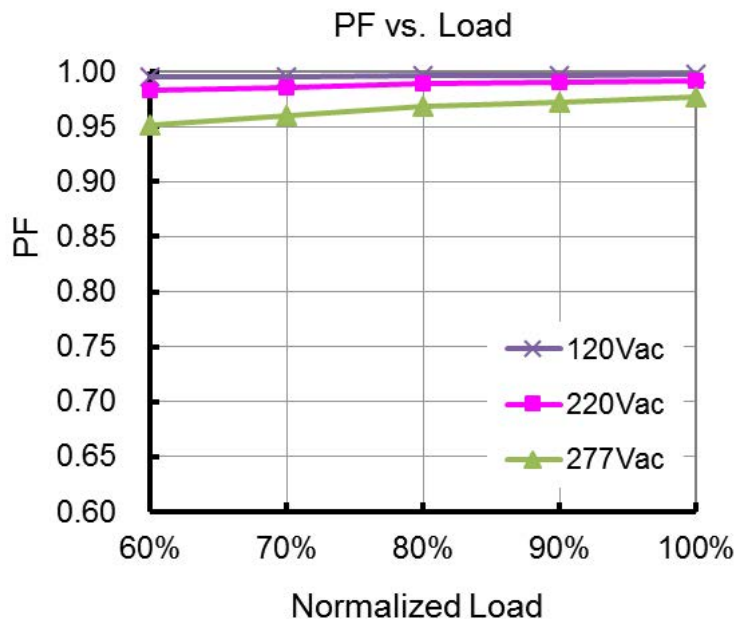
ICL-SWPU-320W-24V-DALI

Lifetime vs. Case Temperature



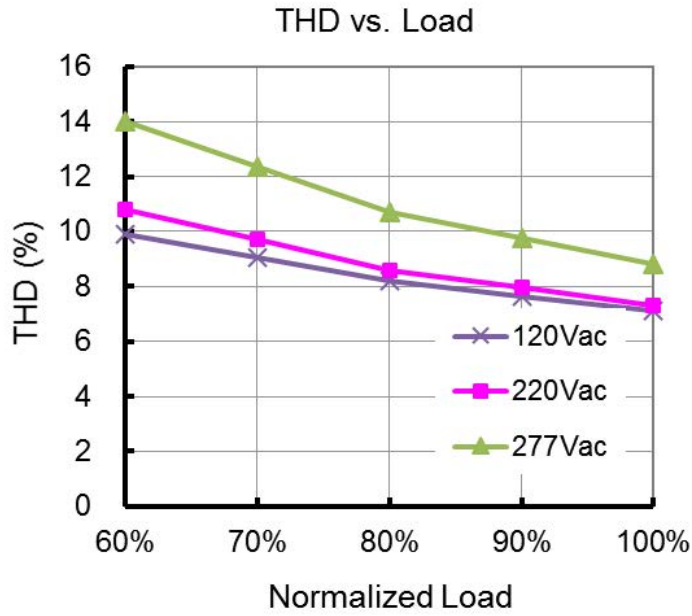
End of Life: Maximum Failure Rate = 10%

Power Factor vs. Load

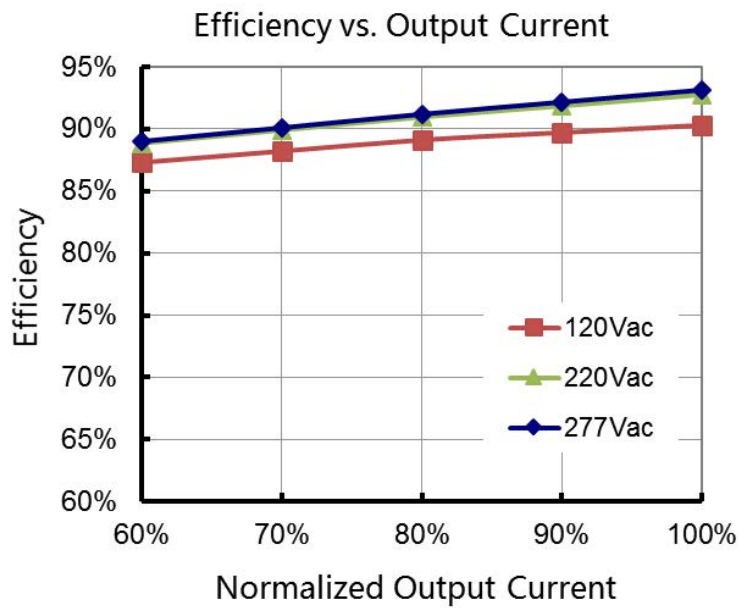


ICL-SWPU-320W-24V-DALI

THD vs. Load

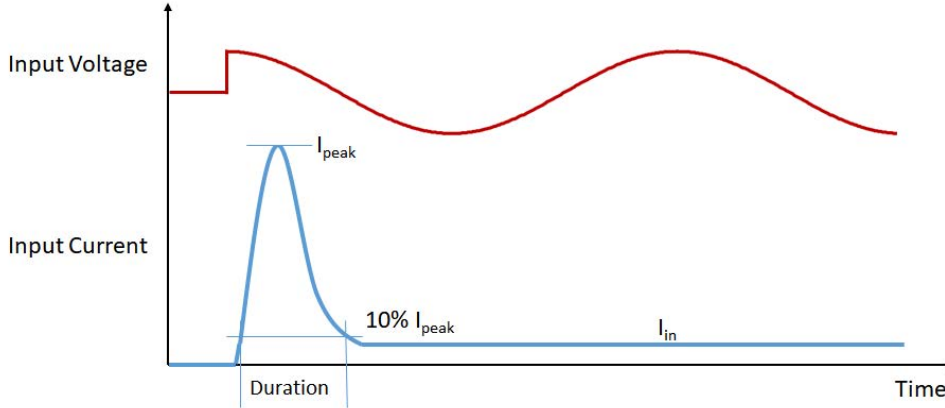


Efficiency vs. Output



ICL-SWPU-320W-24V-DALI

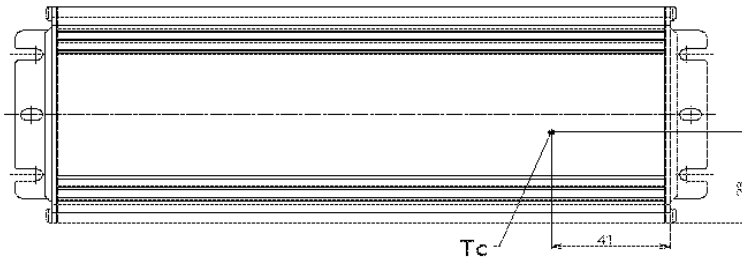
Inrush Current



Input Voltage 120Vac:	I_{peak} : 16.6A, Duration: 4.28mS
Input Voltage 220Vac:	I_{peak} : 31.2A, Duration: 3.88mS
Input Voltage 277Vac:	I_{peak} : 39.8A, Duration: 3.80mS

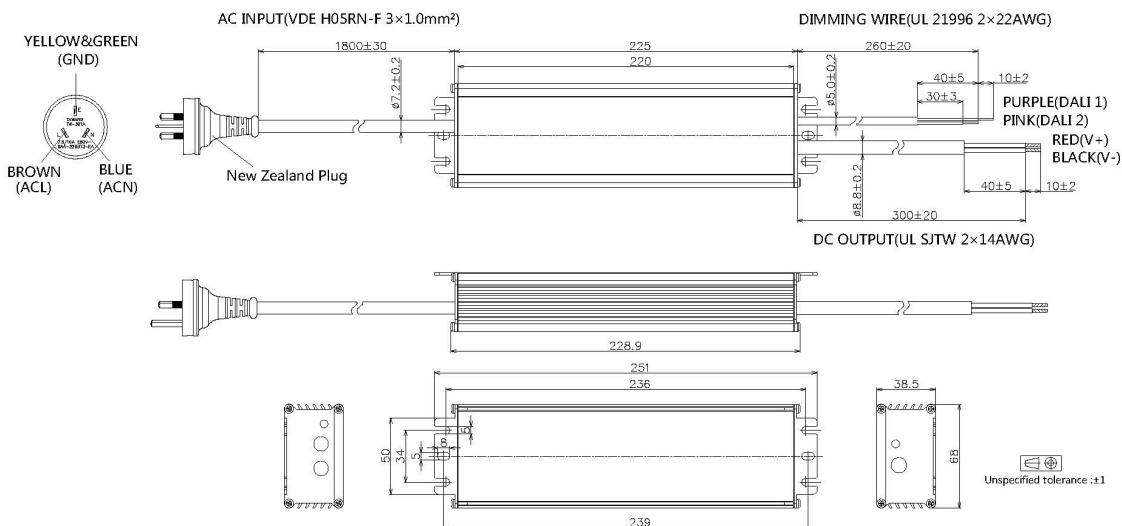
Tc Point

AC INPUT



DC OUTPUT

Wiring Diagram



CAUTION:
Risk of electric shock

Industrial Commercial
Lighting is a New Zealand
owned and operated
lighting solutions company
based in the South Island

We provide industrial, commercial,
architectural, sports, design and
consulting lighting services.

Contact us for more information, or
to discuss how we can assist you with
a tailored lighting solution.

Phone **03 385 2291**
Email **contact@iclighting.co.nz**

www.iclighting.co.nz

